

LOT 31 LOT 42

LOT 32 LOT 41

T.R. 58
SIDLEY ROAD

MOSELEY ROAD T.R. 49

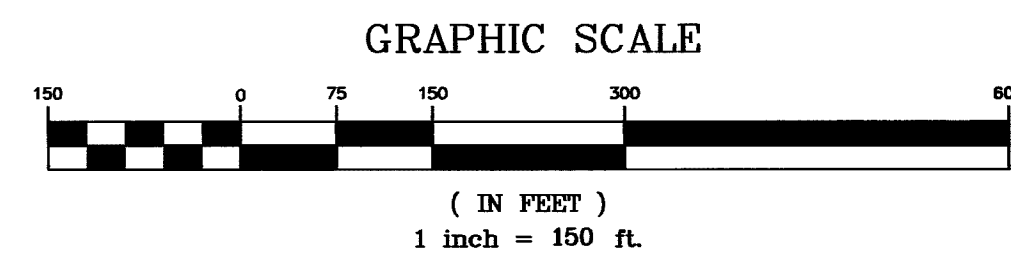
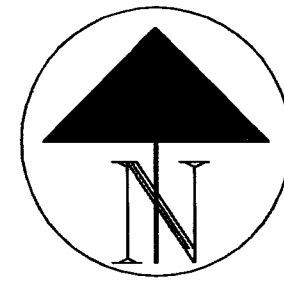
VOL. 538, PAGE 955
PN 30-700600
CHRISTIAN CAMPING INC.

VOL. 1116, PAGE 221
PN 30-049300
RUTH MORGENSTERN, TRUSTEE

GEAUGA COUNTY

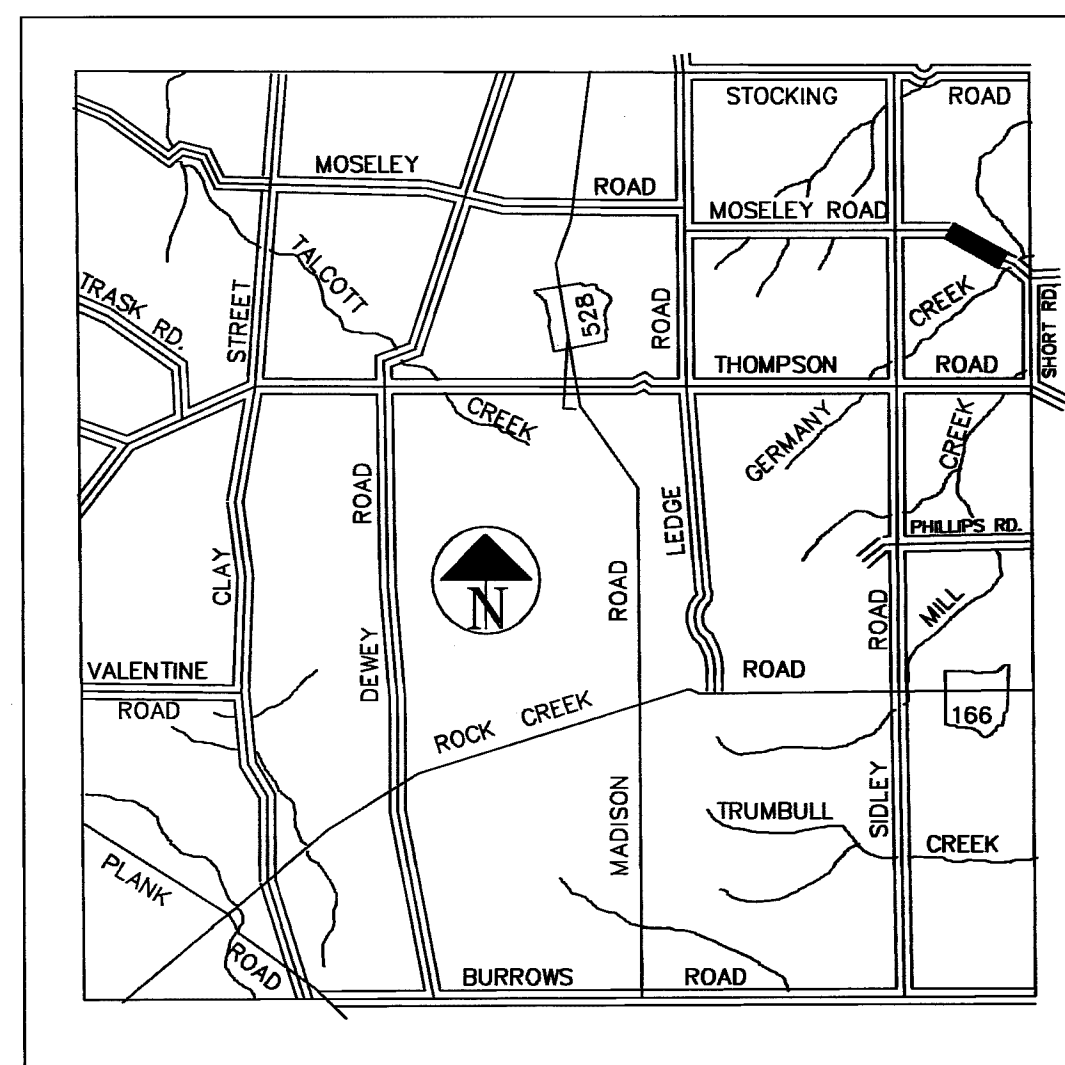
ASHTABULA COUNTY

VACATION PLAT OF MOSELEY ROAD T.R. 49
KNOWN AS BEING PART OF THOMPSON TOWNSHIP
LOT 41
GEAUGA COUNTY, OHIO



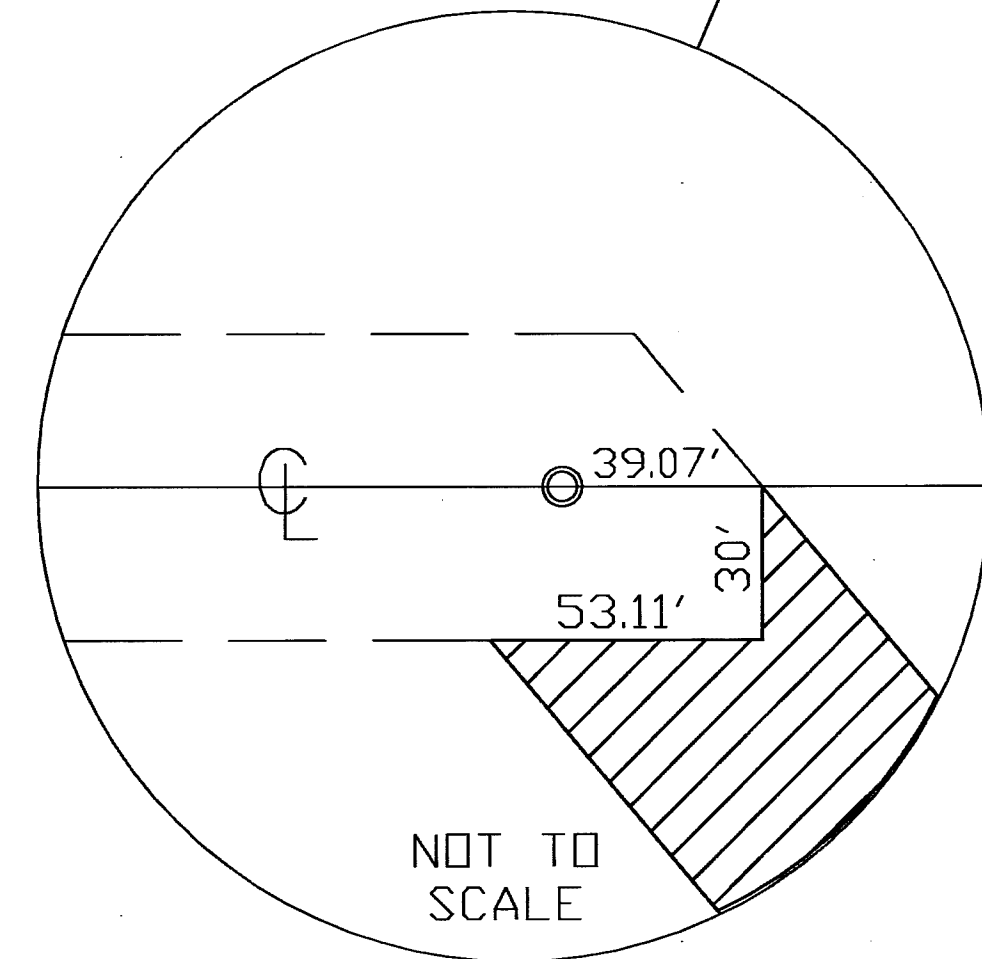
Bearings shown herein are to an assumed meridian
and are used to denote angles only.

* LOCATION MAP *



* NOT TO SCALE *

Vol. 40 Pg. 102



VOL. 1806, PAGE 3483
PN 30-035800
DENNIS R. JERSEY,
TRUSTEE

VACATED ROAD

S74°55'59"E
764.24'
SPIKE to PIPE

S73°55'31"E
300.00'
S73°55'31"E
465.37'
PIPE to PIPE

S47°18'52"E
604.83'
MOSELEY ROAD T.R. 49
SHORT ROAD T.R. 172

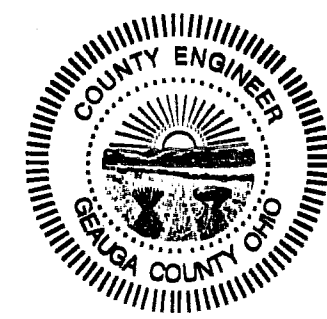
BELL ROAD

Received for recording this 1st day of July, 2008.
Recorded this 1st day of July, 2008 at 8:10 AM
in Plat Book 40 Page 102.
Glen Eric Outgley on
Deauga County Recorder

THIS SURVEY PLAT HAS BEEN PREPARED IN ACCORDANCE
WITH THE PROVISIONS OF RESOLUTION 06-097 PASSED
BY THE GEAUGA COUNTY BOARD OF COMMISSIONERS ON
JUNE 13, 2006 AS A RESULT OF VACATION PROCEEDINGS
PURSUANT TO SECTION 5553.045 OF THE OHIO REVISED CODE.

NO TRANSFER NECESSARY 6-30-08 *Tracy A. Jamin* AK
AUDITOR

200800781726
Filed for Record in
GEAUGA COUNTY OHIO
GLEN ERIC OUTGLEY
07-01-2008 At 08:10 am.
COUNTY PLAT .00
OR Book 40 Page 102 - 102



I DO HEREBY CERTIFY THAT THIS CENTERLINE RETRACEMENT SURVEY AND PREPARATION
OF THIS PLAT WERE COMPLETED UNDER MY SUPERVISION IN ACCORDANCE WITH THE
PROVISIONS OF CHAPTER 4733-37 OF THE OHIO ADMINISTRATIVE CODE. DIMENSIONS
SHOWN ARE EXPRESSED IN FEET AND DECIMAL PARTS THEREOF. BEARINGS SHOWN
HEREON ARE TO AN ASSUMED MERIDIAN AND ARE USED TO DENOTE ANGLES ONLY. I
CERTIFY THE ABOVE TO BE CORRECT AND TO THE BEST OF MY KNOWLEDGE AND BELIEF.

ATTEST *William R. Loetz* JUNE 11, 2007 DATE
WILLIAM R. LOETZ, P.S. 7552, COUNTY SURVEYOR

LEGEND

- ⊙ = 2 INCH IRON PIPE FOUND
- = 3/4 INCH IRON PIN
- △ = SPIKE FOUND
- ▨ = VACATED AREA

VACATION PLAT OF MOSELEY ROAD T.R. 49
KNOWN AS BEING PART OF THOMPSON TOWNSHIP
LOT 41
GEAUGA COUNTY, OHIO

PREPARED BY:
GEAUGA COUNTY ENGINEER'S OFFICE
ROBERT L. PHILLIPS, P.E., P.S.
470 CENTER STREET, BLDG. 5
CHARDON, OHIO 44024
PHONE (440) 286-3936

DRAWN BY WRL	CHECKED BY SAM	DATE: 2-12-2007 SCALE: 1" = 150'	SHEET 1 OF 1
-----------------	-------------------	-------------------------------------	--------------